



**Technical Service
Information Bulletin**

August 10, 2007

Title:
**NOISE FROM AUXILIARY PORT WITH
EXTERNAL DEVICE**

Models:
**'06 – '08 IS 250/350 & '07 – '08 ES 350 &
LS 460, & '08 LS 600h**

REVISÉD
AU001-07
AUDIO

TSIB REVISION NOTICE:

- **March 8, 2008:** The Applicable Vehicles has been updated to include 2008 model year ES 350, IS 250/350, and LS 460/600h. Correction to first revision: 2007 model year LS 600h has been removed.
- **February 8, 2008:** The Applicable Vehicles has been updated to include 2007 model year LS 600h.

Previous versions of this TSIB should be discarded.

Introduction Some customers may notice noise in the auxiliary mode of the radio when using an MP3 player or other external audio source connected to the 12V power port of the vehicle. An improved auxiliary port and in-line filter has been developed to improve this condition. Use the repair procedure to install the new in-line filter and auxiliary port.

- Applicable Vehicles**
- **2006 – 2008** model year **IS 250/350** vehicles.
 - **2007 – 2008** model year **ES 350** and **LS 460** vehicles.
 - **2008** model year **LS 600h** vehicles.

Parts Information

MODEL	PREVIOUS PART NUMBER	CURRENT PART NUMBER	PART NAME	QTY
ES 350	86190-53010	86190-48010	Adapter Assembly, Stereo (Mini Jack)	1
LS 460				1
LS 600h				1
IS 250/350	86190-53020	86190-48010		1
All	N/A	86237-33010	Wire, Condenser (Wire Harness)	1
All	N/A	86516-33020	Condenser (Noise Filter)	1

Warranty Information

OP CODE	DESCRIPTION	TIME	OFF	T1	T2
AU7002	R & R Stereo Adapter Assembly	0.2	86190-530#0	91	99
Combo A	Install In-line Filter & Adapter Assembly	0.1			

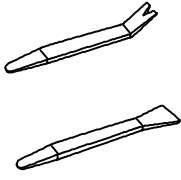
Applicable Warranty*:

This repair is covered under the Lexus Comprehensive Warranty. This warranty is in effect for 48 months or 50,000 miles, whichever occurs first, from the vehicle's in-service date.

* Warranty application is limited to correction of a problem based upon a customer's specific complaint.



Required Tools & Equipment

SPECIAL SERVICE TOOLS (SSTs)		PART NUMBER	QTY	DRW**
Plastic Pry Tool Set*		00002-06000-01	1	21
COMPONENT(S) OF KIT/SET	NOTE:			
	<ul style="list-style-type: none"> All components from this kit/set are required. 			
	<ul style="list-style-type: none"> Plastic Panel Clip Removal Tool (P/N 00002-06001-01) Plastic Emblem Removal Tool (P/N 00002-06002-01) 			

* Essential SSTs.

** Drawer number in SST Storage System.

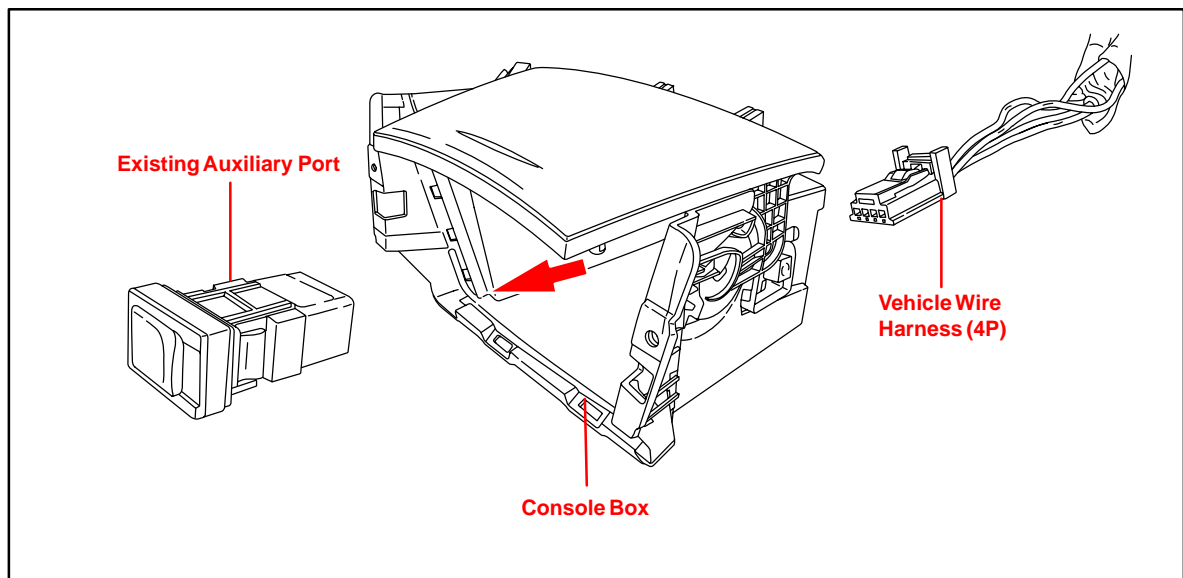
NOTE:
Additional SSTs may be ordered by calling SPX/OTC at 1-800-933-8335.

Repair Procedure

1. Remove the existing auxiliary port terminal from the vehicle.

Refer to the Technical Information System (TIS):

- 2006 or 2007 or 2008 model year IS 250 or IS 350 Repair Manual, *Audio/Visual/Telematics – Audio/Video – “Audio/Visual: Audio Terminal: Removal”*
- 2007 or 2008 model year ES 350 Repair Manual, *Audio/Visual/Telematics – Audio/Video – “Audio/Visual: Audio Terminal: Removal”*
- 2007 or 2008 model year LS 460 Repair Manual, *Audio/Visual/Telematics – Audio/Video – “Audio/Visual: Stereo Jack Adapter Assembly: Removal”*
- 2008 model year LS 600h Repair Manual, *Audio/Visual/Telematics – Audio/Video – “Audio/Visual: Stereo Jack Adapter Assembly: Removal”*



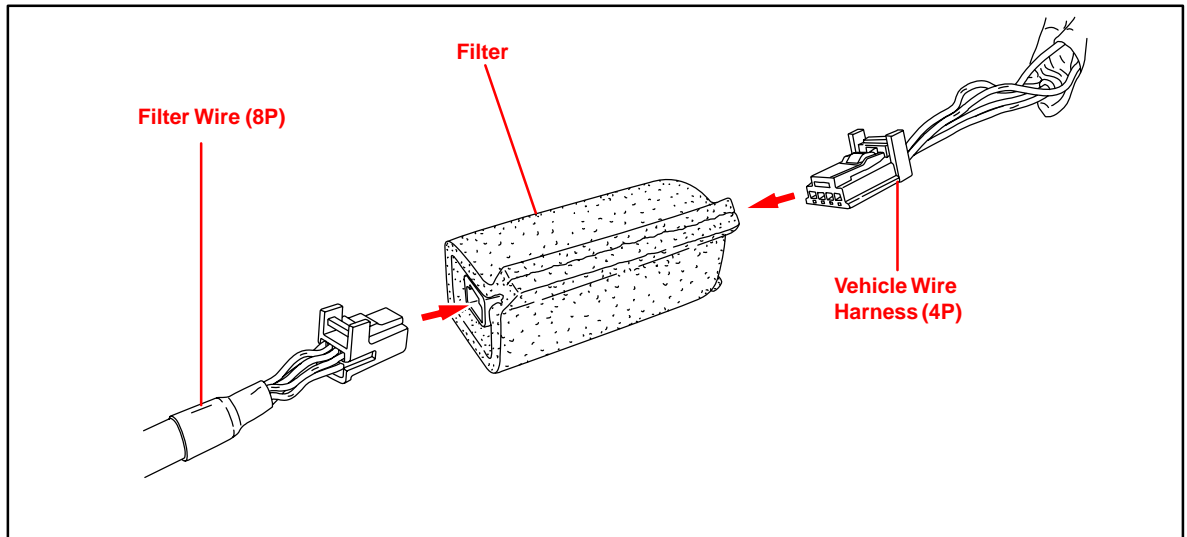
**Repair
Procedure**
(Continued)

2. Install the revised auxiliary port, wire harness, and noise filter.
Tape the noise filter to the back side of the trim panel near the auxiliary port ensuring the filter does NOT touch other parts or the wiring harnesses in the vehicle.

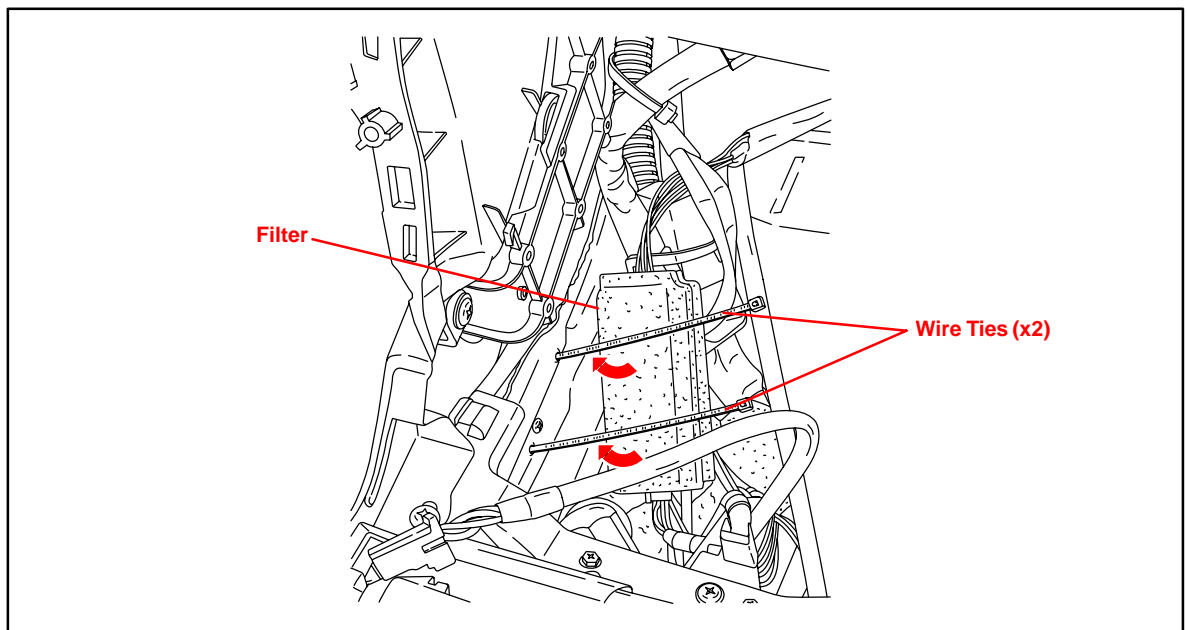
NOTE:

Steps A – D are generic installation instructions.

- A. Connect the vehicle wire connector (4P) into the filter, and connect the filter wire connector (8P) into the filter.

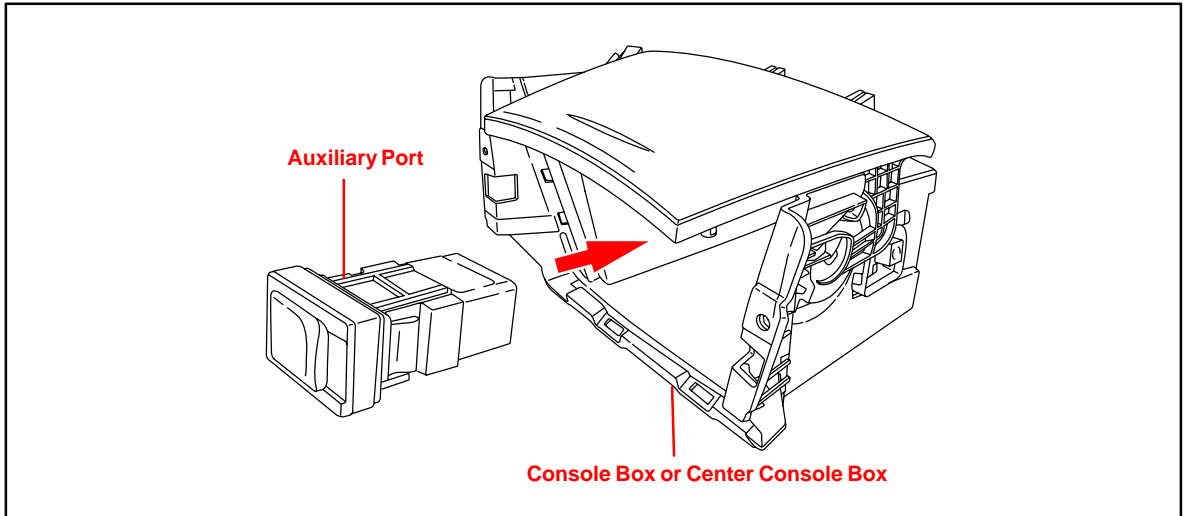


- B. Secure the filter to the vehicle wire harness using wire ties.

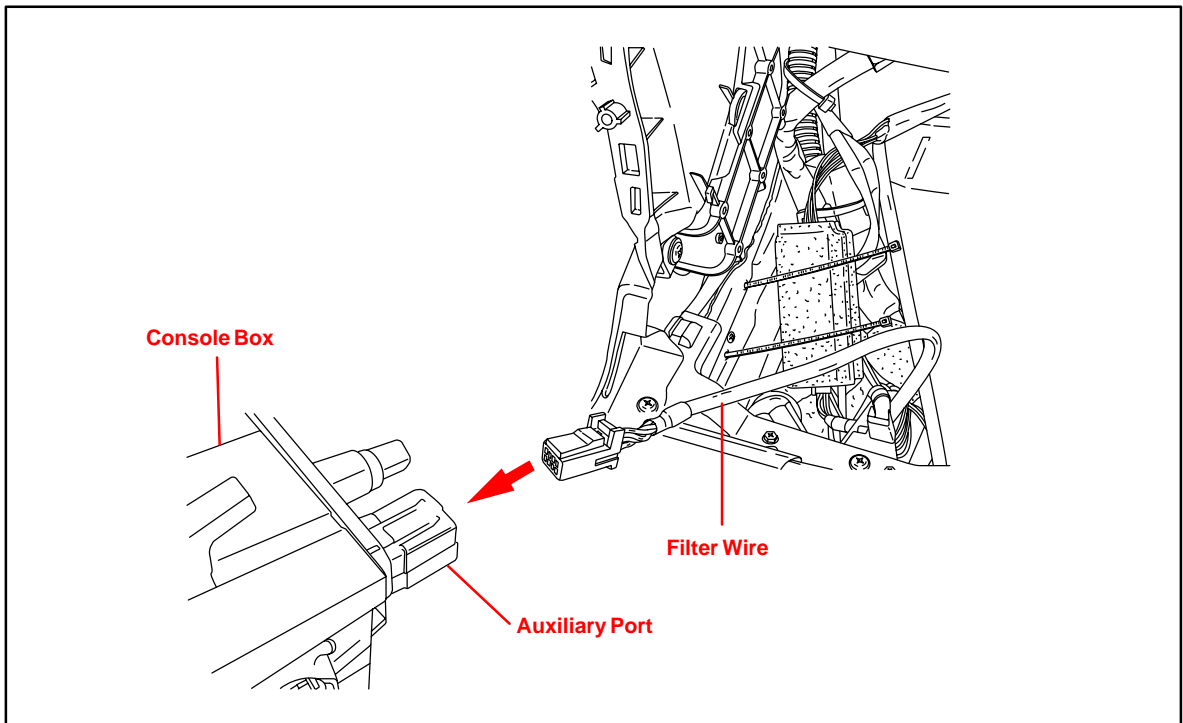


Repair Procedure
(Continued)

C. Install the NEW auxiliary port to the console box.



D. Connect the filter wire connector (8P) into the NEW auxiliary port.



3. Reassemble the vehicle in reverse order of disassembly.