



**Technical Service
Information Bulletin**

August 8, 2007

Title:

DCC FUSE INSTALLATION DURING PDS

Models:

'08 LS 460

PRE-DELIVERY SERVICE
PD030-07

Introduction The DCC fuses (30A) have been removed from the LS 460 at the assembly plant to reduce parasitic draw during transportation and storage.

The DCC fuses are stored in the blank space of the fuse block in the engine compartment and must be installed to their original locations during Pre-Delivery Service (PDS).

**Applicable
Vehicles**

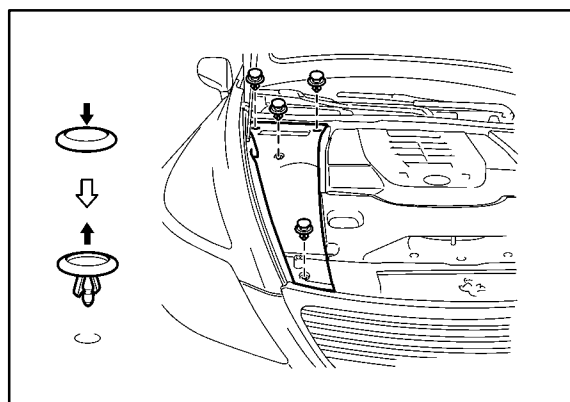
- 2008 model year **LS 460** vehicles.

**Warranty
Information**

OP CODE	DESCRIPTION	TIME	OFF	T1	T2
N/A	Not Applicable to Warranty	-	-	-	-

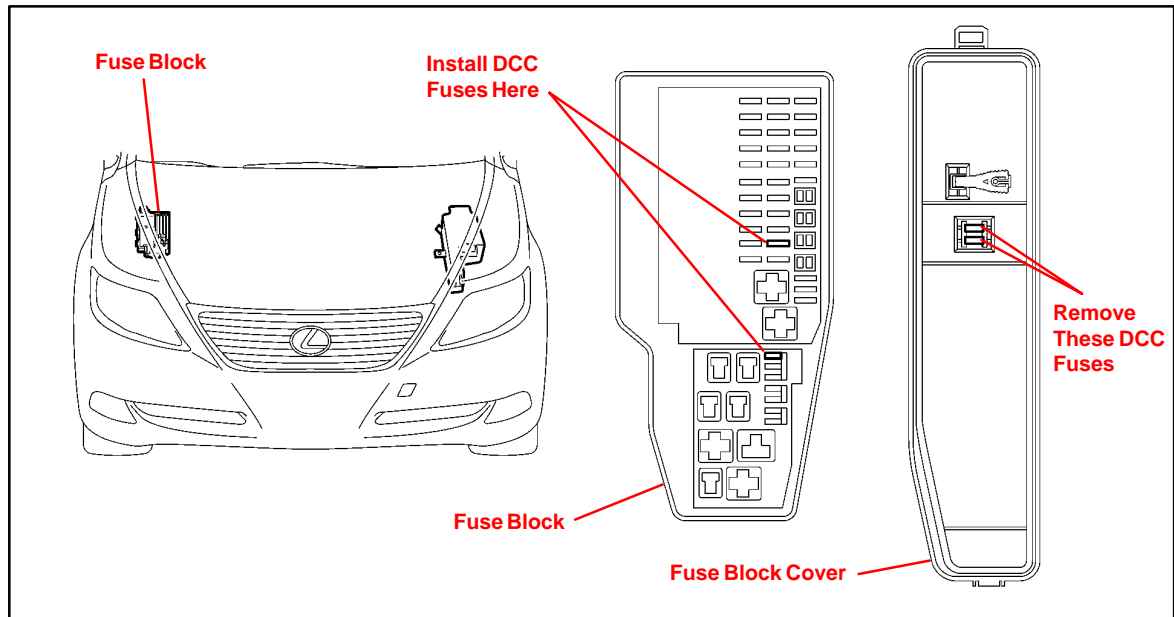
**Installation
Procedure**

1. Push the core of the clips of the engine compartment side cover and remove the clips. Then remove the engine compartment side cover.
2. Make sure that the wheels are pointing straight ahead and the steering wheel is centered before installing the DCC fuses.



Installation Procedure
(Continued)

3. With the ignition switch OFF, install the DCC fuses in their original locations in the engine compartment fuse block.



NOTE:

- The procedure above is necessary to perform the VGRS initialization correctly.
- While the vehicle is stored at the dealership, disconnect the negative (-) battery terminal to prevent battery discharge. Refer to TSIB No. PG001-06, "Battery Maintenance for In-Stock Vehicles & Pre-Delivery," for battery maintenance information.
- If the DCC fuses are installed with the ignition switch in the "IG-ON" position, Diagnostic Trouble Codes (DTCs) will be detected. In that case, clear the DTCs.
- If the ignition switch is turned to the "IG-ON" position without the DCC fuses installed, turn the ignition switch to the "IG-OFF" position and wait for more than 10 seconds before installing the fuses.

4. Replace the engine compartment side cover. Installation is in the reverse order of removal.

When inserting the clips, refer to the illustration.

