


Initialization of Advanced Parking Guidance System

Service Category General

Section Pre-Delivery Service

Market USA

Lexus Supports
ASE Certification 

Applicability

YEAR(S)	MODEL(S)	ADDITIONAL INFORMATION
2009	LS460	

Introduction

The Advanced Parking Guidance System assists the driver during parking and parallel parking by displaying an image of the area behind the vehicle and controlling the steering wheel with the vehicle in reverse.

When the DCC fuses are removed or battery terminal disconnected, the power source to the steering angle sensor is cut off. When the DCC fuses are reinstalled or the battery terminal is reconnected, the rear view monitor will operate, but the steering angle sensor center position must be set through system initialization before park assist will become operational.

Initialize the Advanced Parking Guidance System after installing the DCC fuses during Pre-delivery Service (PDS).

NOTE

Any time the battery terminal has been disconnected, the Advanced Parking Guidance System MUST be initialized.

Warranty Information

OP CODE	DESCRIPTION	TIME	OFP	T1	T2
N/A	Not Applicable to Warranty	–	–	–	–

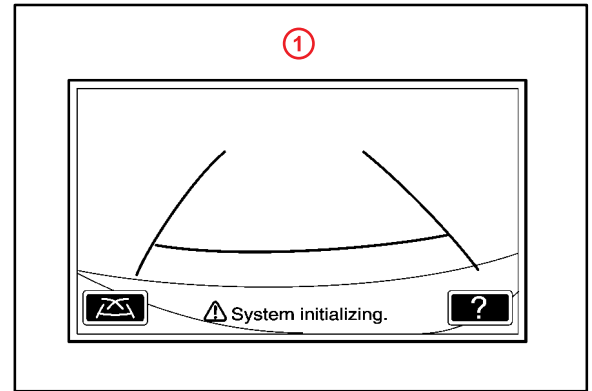
Initialization of Advanced Parking Guidance System

Initialization Procedure

1. Start the engine.
2. Check if the Advanced Parking Guidance System is operative by moving the shift lever to the "R" position.

"System initializing." appears on the rear view monitor as shown in figure 1.

Figure 1.

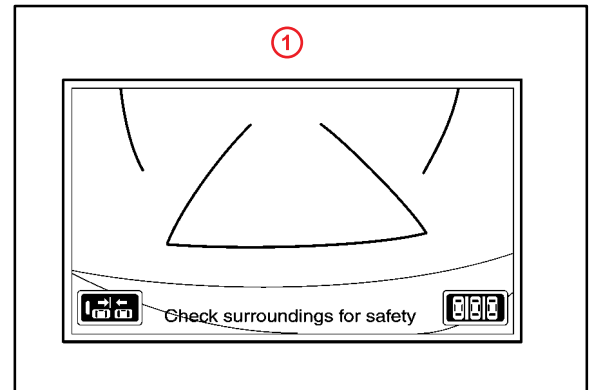


1 Before Initialization

3. Move the shift lever to the "P" position and turn the steering wheel lock to lock.
4. Move the shift lever to the "R" position.

When "Check surroundings for safety." appears on the rear view monitor as shown in figure 2, the initialization of the Advanced Parking Guidance System has been completed.

Figure 2.



1 After Initialization