


# Front Mounting Bracket & License Plate Installation

**Service Category** General

**Section** Pre-Delivery Service

**Market** USA

Lexus Supports  
ASE Certification 

## Applicability

YEAR(S)	MODEL(S)	ADDITIONAL INFORMATION
2009	LS460	

## Introduction

The front license plate mounting bracket and two self-tapping screws for the 2009 model year LS 460 are placed in the luggage compartment of the vehicle at the assembly plant. For states that require a front license plate, install the bracket during Pre-Delivery Service (PDS) according to the following procedures.

## Warranty Information

OP CODE	DESCRIPTION	TIME	OFP	T1	T2
N/A	Not Applicable to Warranty	–	–	–	–

# Front Mounting Bracket & License Plate Installation

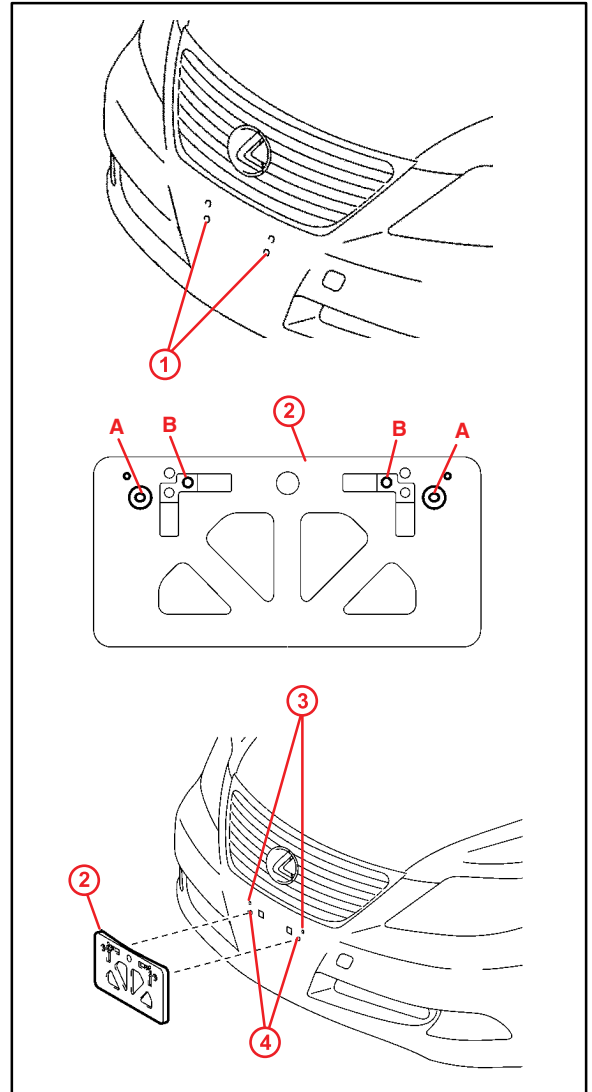
## Installation Procedure

- Align holes "A" of the mounting bracket with the LOWER set of dimples on the front bumper cover. Mark the location of holes "B" on the front bumper cover.

**NOTE**

- There are two sets of dimples on the front bumper cover. Use the LOWER set of dimples.
- Holes "A" are used to install the mounting bracket to the bumper cover.
- Holes "B" are used for installation of the front license plate to the mounting bracket.

Figure 1.



1	Use These 2 LOWER Set of Dimples
2	Mounting Bracket
3	Dimples
4	Mark and Drill Holes

## Front Mounting Bracket & License Plate Installation

### Installation Procedure (Continued)

2. Drill two relief holes with a diameter of 11 mm (0.43 in.) at the marks on the front bumper cover (holes "B" location) to prevent the license plate retaining bolt ends from contacting the cover.

**NOTE**

**Do NOT drill into the dimples on the front bumper cover.**

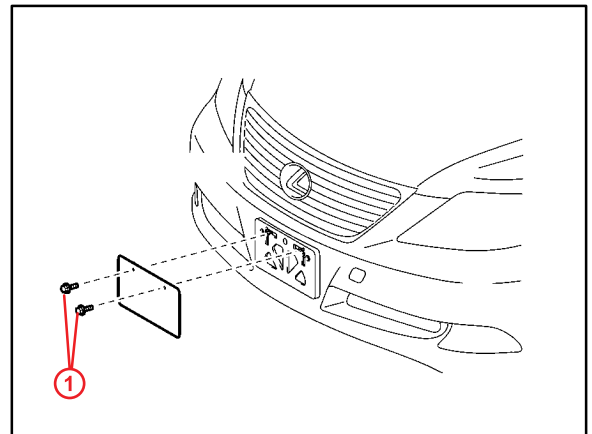
3. Install the mounting bracket to the front bumper cover at holes "A" using the two supplied self-tapping screws.
4. Install the front license plate to the mounting bracket at holes "B" using two bolts of the size listed below.

Use non-corroding bolts with the following dimensions to install the front license plate:

**Nominal Length: 15.0 mm (0.59 in.)**

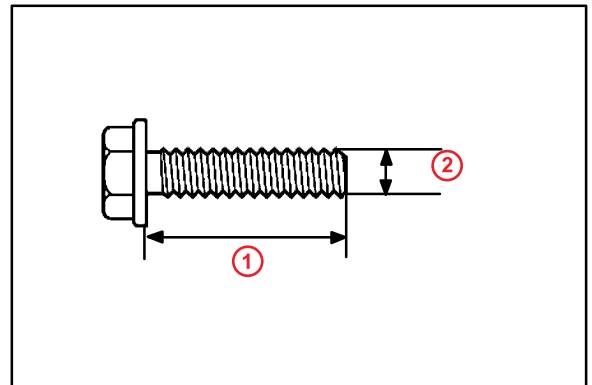
**Diameter: 6.0 mm (0.24 in.)**

**Figure 2. License Plate**



<b>1</b>	<b>Bolts into Holes "B"</b>
----------	-----------------------------

**Figure 3.**



<b>1</b>	<b>Nominal Length</b>
<b>2</b>	<b>Diameter</b>